

CASAPPA News

Hydraulic filters **HF 748**

Elements
filtering surfaces
higher than standard
ones

Maximum flow up
to 38 US gpm (145 l/min)
[+50 % compared
to HF 745 series]

High resistance
aluminum bowl

Weight reduction
up to 5.51 lbs (2,5 kg)
compared to
HF 745 series



In line up to 4061 psi
(280 bar)

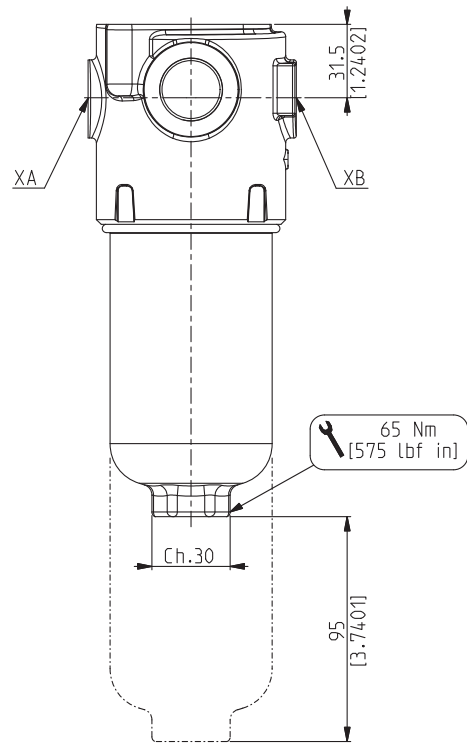
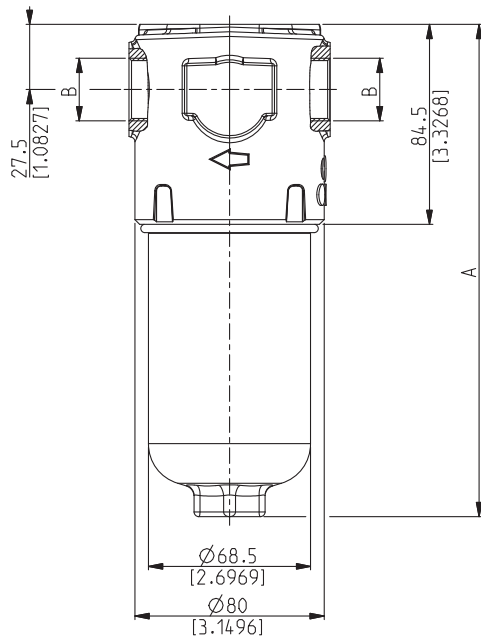
No return valve and
reverse flow valve are
available

Absolute filtration
3 μm , 6 μm , 10 μm , 16 μm
e 25 μm

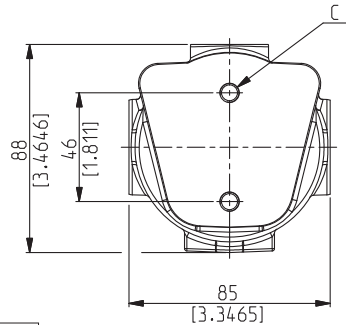
IKRON
Fluid Filtration

Hydraulic filters

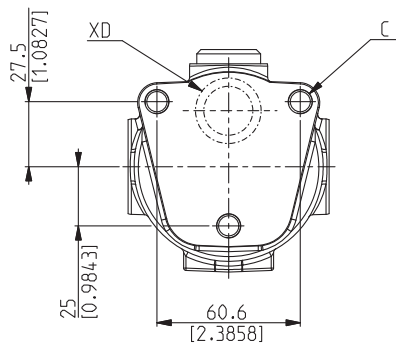
HF 748



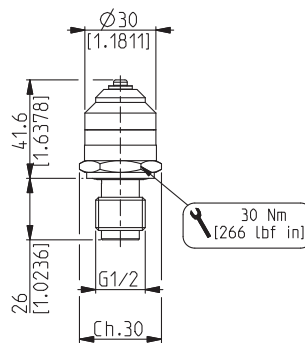
Version F2



Version F3

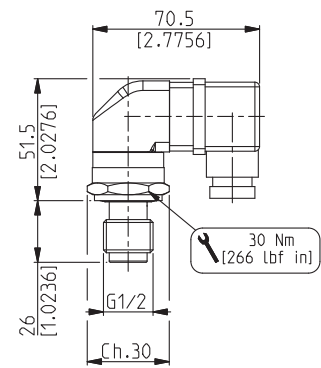


Visual differential indicator "H"



Visual electrical differential indicator "U"

Visual electrical differential indicator with thermostat "W"

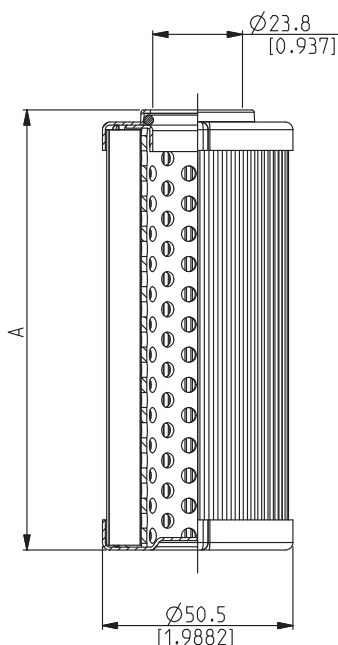


Filter type	Weight	A	B (Ports)	C (1)
	kg (lbs)	mm (in)	Availability	
HF748-20.074	2,64(5.82)	171(6.7323)	G 1/2" - G 3/4"	M 8 (drilling F2)
HF748-20.111	2,78(6.13)	208(8.1890)	1/2" NPT - 3/4" NPT	M 10 (drilling F3)
HF748-20.153	2,95(6.50)	250(9.8425)	3/4"-16 UNF-2B - 1 1/16"-12UN-2B	
HF748-20.201	3,15(6.94)	301(11.8504)		

(1) Respective threads 5/16"-18 UNC-2B for drilling F2 and 3/8"-16 UNC-2B for drilling F3 are available.

On request, mounting holes can have special threads and different locations between center lines.

Filtering elements **HE K86**



Element type	A	Filtering surface (AS)	Dirt holding capacity (ISO MTD) $\Delta p = 72.5$ psi (5 bar)			
			FG003	FG006	FG010	FG025
	mm (in)	cm ² (in ²)	gr (lbs)	gr (lbs)	gr (lbs)	gr (lbs)
HE K86-20.074	80(3.1496)	493(76.4151)	2,8(0.0062)	3,5(0.0077)	3,9(0.0086)	5,7(0.0126)
HE K86-20.111	117(4.6063)	739(114.5452)	4,1(0.0090)	5,3(0.0117)	5,9(0.0130)	8,6(0.0190)
HE K86-20.153	157(6.1811)	1019(117.9453)	5,7(0.0126)	7,3(0.0161)	8,1(0.0179)	11,8(0.0260)
HE K86-20.201	207(8.1496)	1339(207.5454)	7,5(0.0165)	9,6(0.0212)	10,7(0.0236)	15,5(0.0342)

FLOW

Filter type	Ports IN/OUT			Degree of filtration			
				FG003	FG006	FG010	FG025
	GAS (BSPP)	NPT	SAE J514b	Maximum flow US gpm (l/min)			
HF 748-20.074	G 1/2	1/2 NPT	3/4-16 UNF-2B	10.6(40)	13.2(50)	15.8(60)	19.8(75)
	G 3/4	3/4 NPT	1 1/16-12 UN-2B	11.9(45)	14.5(55)	17.2(65)	21.1(80)
HF 748-20.111	G 1/2	1/2 NPT	3/4-16 UNF-2B	15.8(60)	18.5(70)	22.4(85)	26.4(100)
	G 3/4	3/4 NPT	1 1/16-12 UN-2B	17.2(65)	19.8(75)	23.8(90)	27.7(105)
HF 748-20.153	G 1/2	1/2 NPT	3/4-16 UNF-2B	21.1(80)	23.8(90)	27.7(105)	31.7(120)
	G 3/4	3/4 NPT	1 1/16-12 UN-2B	22.4(85)	25.1(95)	29.0(110)	35.7(135)
HF 748-20.201	G 1/2	1/2 NPT	3/4-16 UNF-2B	26.4(100)	27.7(105)	31.7(120)	34.3(130)
	G 3/4	3/4 NPT	1 1/16-12 UN-2B	27.7(105)	30.4(115)	34.3(130)	38.3(145)

I018-002 - 01/06.2012

HOW TO ORDER A COMPLETE FILTER

1	2	3	4	5	6	7	8	9	10											
HF748	-	20.111	-	AS	-	FG010	-	LC	-	B60	-	GD	-	B	-	XA	-	G	-	F2

1	Filter type	CODE
	See table pag.2	HF748-...
2	Filtering surface	CODE
	Standard	AS
3	Degree of filtration	CODE
3	[µm] Micro-fibre glass	FG003
6	[µm] Micro-fibre glass	FG006
10	[µm] Micro-fibre glass	FG010
16	[µm] Micro-fibre glass	FG016
25	[µm] Micro-fibre glass	FG025
4	Δp collapse pressure	CODE
	290 [psi] (20 [bar])	LC
	3046 [psi] (210 [bar])	HC

5	Valves	CODE
	By-pass setting 87 [psi] (6 [bar])	B60
	By-pass setting 87 [psi] (6 [bar]) and no return valve	B6N
	By-pass setting 87 [psi] (6 [bar]) and reverse flow	B6R
	Without	B00
	Without by-pass, with no return valve	B0N
	Without by-pass, with reverse flow	B0R
6	Ports IN/OUT	CODE
	Threads GAS (BSPP)	
	G 1/2	GD
	G 3/4	GE
	Threads NPT	
	1/2	ND
	3/4	NE
	Threads SAE ODT	
	1/2	OB
	3/4	OD

7	Seals	CODE
	Buna	B
	Viton	V
8	Indicator ports	CODE
	Right side arranged	XA
	Left side arranged	XB
	Upper side arranged (only F3 version)	XD
9	Indicator	CODE
	Without indicator, with plug	G
	Visual differential indicator	H
	Visual electrical differential indicator	U
	Visual electrical differential indicator with thermostat	W
10	Drilling	CODE
	2 Holes M8	F2
	3 Holes M10	F3

	Standard
	On request

HOW TO ORDER A REPLACEMENT ELEMENT

1	2	3	4	5						
HE K86	-	20.111	-	AS	-	FG010	-	LC	-	B

1	Element type	CODE
	See table pag.3	HE K86-.
2	Filtering surface	CODE
	Standard	AS
3	Degree of filtration	CODE
3	[µm] Micro-fibre glass	FG003
6	[µm] Micro-fibre glass	FG006
10	[µm] Micro-fibre glass	FG010
16	[µm] Micro-fibre glass	FG016
25	[µm] Micro-fibre glass	FG025

4	Δp collapse pressure	CODE
	290 [psi] (20 [bar])	LC
	3046 [psi] (210 [bar])	HC
5	Seals	CODE
	Buna	B
	Viton	V

	Standard
	On request